

PROJECT: _____

CATALOG: _____

FIXTURE TYPE: _____

NOTES: _____

Premium Linear High Bay (LEDPLHB)



1'X4'
(200W)



2'X4'
(320W,400W)



DESCRIPTION

The Premium Linear High Bay a luminaire designed for lighting large indoor spaces. It comes with lumen outputs between 23,500 and up to 60,000 lumens and offers quality lighting and excellent energy savings compared to linear fluorescent and HID highbay fixture. This fixture is available in three wattage packages of 200W, 320W, and 400W.

APPLICATIONS

Industrial, manufacturing, gymnasium, and warehouse applications

OPTIONAL ACCESSORIES

Programmable Motion Sensor, Emergency Battery Backup

PERFORMANCE INFORMATION

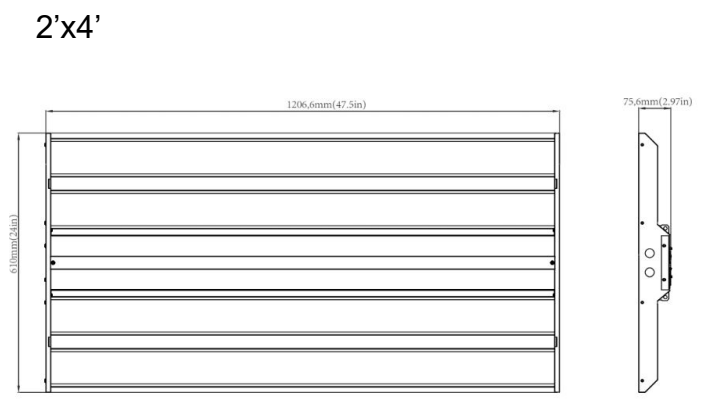
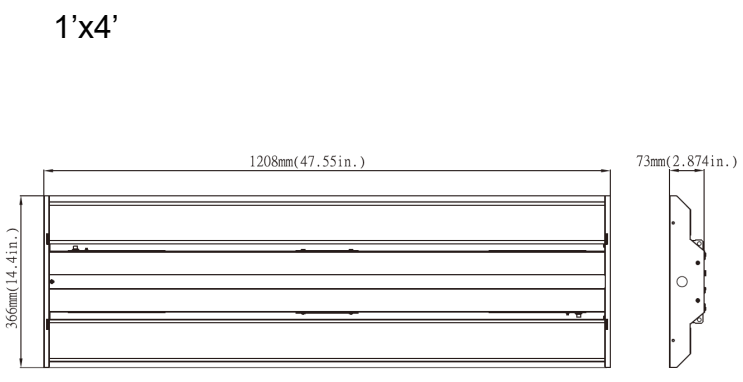
LEDPLHB				4000K		5000K	
SIZE	WATTAGE	VOLTAGE	CRI	LUMENS	LPW	LUMEN	LPW
1X4	200W	120-277V/347-480V	>85	29500lm	148lm/W	30000lm	150lm/W
2X4	320W	120-277V/347-480V	>85	47000lm	147lm/W	48000lm	150lm/W
2X4	400W	120-277V/347-480V	>85	58500lm	146lm/W	60000lm	150lm/W

ORDERING GUIDE				EXAMPLE			LEDPLHB 160W 50K
Series	Wattage	CCT	Voltage	Sensor (option)	Backup Battery(option)	Lens	
LEDPLHB	<input type="checkbox"/> 200W 200WATT	<input type="checkbox"/> 40K 4000K	<input type="checkbox"/> Blank 110 -270 VAC	<input type="checkbox"/> Blank No Sensor	<input type="checkbox"/> Blank - No Battery	<input type="checkbox"/> Blank - Medium Lens	
	<input type="checkbox"/> 320W 320 WATT	<input type="checkbox"/> 50K 5000K	<input type="checkbox"/> HV 347-480 VAC	<input type="checkbox"/> MS-1 Internal Motion Sensor	<input type="checkbox"/> EB - Emergency Battery		
	<input type="checkbox"/> 400W 400 WATT			<input type="checkbox"/> MS-2 External Motion Sensor			

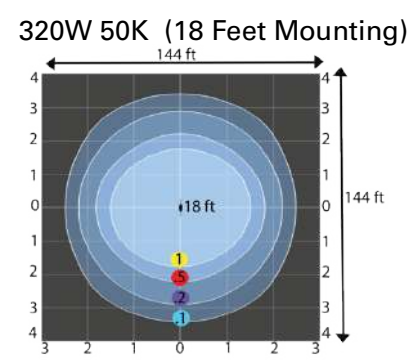
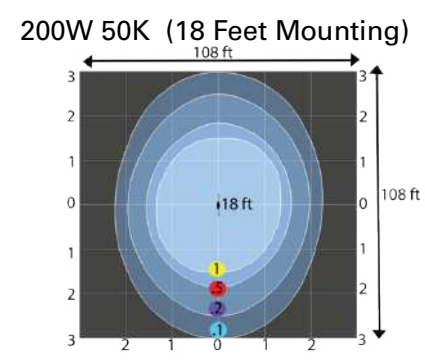
SPECIFICATION

<p>Housing Aluminum alloy with white coat finish</p> <p>Finish Standard white polyester powder coat finish painted after assembling to increase durability and prevent corrosion.</p> <p>Mounting Steel wire rope (included), Optional Pendant mount .</p> <p>Ambient Temperature Operating temperature is -40°F to 131°F</p> <p>Options PIR Motion Sensor Emergency battery backup</p>	<p>Efficacy Up to 150 lumens per watt</p> <p>CRI 80(CRI)</p> <p>Lifespan 50,000 hours LED lifespan</p> <p>Lumens From 30,000to 40,000 lumens</p> <p>CCT 4000K and 5000K available</p> <p>Electrical Voltage 120-277V & 347V-480V 50/60Hz operation; 0-10V dimming standard.</p>	<p>Lens Medium lens, Aisle lens and Prismatic diffuser</p> <p>Compliance Luminaires are cULus listed for damp locations -20 °C - 40°C. Design Light Consortium® Qualified and classified for DLC Premium, refer to www.designlights.org for details.</p> <p>Warranty Five year warranty</p>
--	---	--

DIMENSIONS



PHOTOMETRICS



Multiplier	1.7	1.3	1.0	0.8	0.7
Mounting Height	14	16	18	20	22

Grid scales: Multiples of mounting height Values shown in footcandle.

OPTIONS

1. Motion Sensor



BL-PIR-EX



BL-PIR-INT

Description

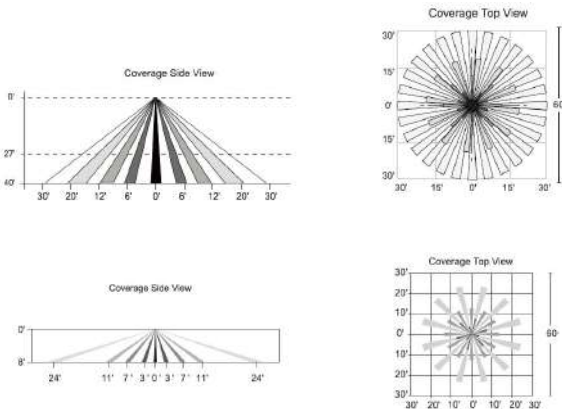
The BL-PIR is a passive sensor that detects a range of 360 degrees around the fixture using infrared technology in an area with or without obstructions. The sensor provides maximum energy savings by illuminating the fixture when motion is detected and turning it off automatically once motion is no longer detected. All functions are adjustable via a wireless configuration tool.

(Please see motion sensor spec sheet for more detail)

How it works

1. When sufficient natural light is present, the fixture will not illuminate when motion is detected.
2. When there is insufficient lighting and motion is detected in a space within range of the sensor, the fixture will illuminate automatically.
3. The light fixture will remain illuminated until the space is unoccupied, and will go into standby mode until motion is detected once again.
4. If the space remains unoccupied for half of the standby period, the fixture will automatically reduce to adjusted light levels.
5. At the end of the standby period, the fixture will turn off automatically until activated once again by motion.

Coverage



Performance Data

Voltage	Detect Area	Operating Temp	Mounting Height	Protection Rate
120/277VAC 50/60Hz	360°	-40 -158°F	maximum coverage 60' diameter from 40' height	IP66

2. Emergency battery backup

THE S-EMBK8WLV-INT is a 90 minute emergency battery pack that is integral to the fixture.

SERIES	INPUT VOLTAGE	INPUT CURRENT	INPUT POWER	DISCHARGE TIME	INSTALLATION
S-EMBK8WLV-INT	100-277V	80mA	8W	90MIN	Internal Pre Installed

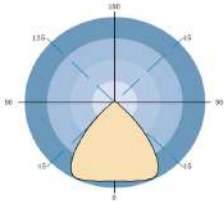
3. Other Optional Accessories

SPMA=Single Point Mount Adapter Kit
 FH=Fixture Hook
 WG=Wireguard

4. Lens Option

Medium Lens

Suitable for large indoor venue, excellent light uniformity.

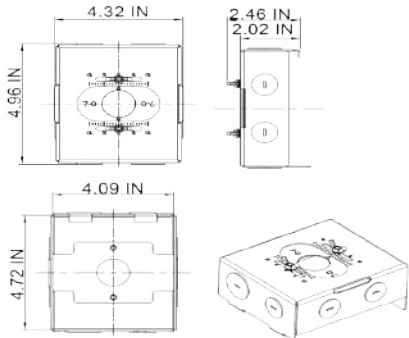


INSTALLATION

1. Chain Mounting Steel Wire Rope (Default Include)

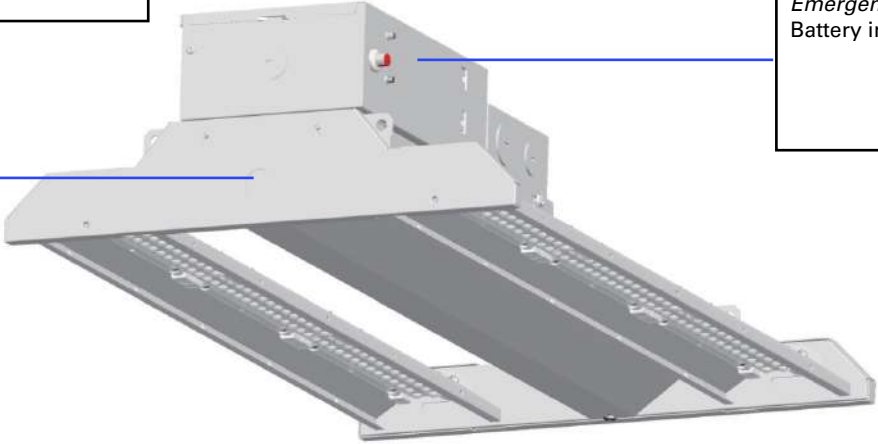


2. Pendant Mount Kit



1/2inch threaded hole
It can support wires coming out from the hole for easier wire connections, and support PIR sensor allows for security and energy saving

Emergency Backup Battery
Battery internal installed



PERFORMANCE DATA

Electrical Load

# of Driver	WATTAGE	CURRENT(A)					
		120V	208V	240V	277V	347V	480V
2	200W	1.67	0.96	0.83	0.72	0.58	0.42
4	320W	2.67	1.54	1.33	1.16	0.92	0.67
4	400W	3.33	1.92	1.67	1.44	1.15	0.83

Temperature		Lumen Multiplies
0°C	32°F	1.03
5°C	41°F	1.03
10°C	50°F	1.02
15°C	59°F	1.01
20°C	68°F	1.01
25°C	77°F	1.00
30°C	86°F	0.98
35°C	95°F	0.89
40°C	104°F	0.79

Projected LED Lumen Maintenance

Operation Hours	0	10,000	25,000	50,000	75,000	100,000
Lumen Maintenance	1	0.98	0.95	0.86	0.79	0.72

Performance

WATTAGE	LUMENS	EFFICACY	REPLACES	VOLTAGE	MAX MOUNTING HEIGHT
200W	29500lm	148lm/W	4 lamp T5HO 54W	120-277V/347-480V	25-40FT
320W	47000lm	147lm/W	6 lamp T5HO 54W	120-277V/347-480V	30-50FT
400W	58500lm	146lm/W	8-10 lamp T5HO 54W	120-277V/347-480V	30-50FT