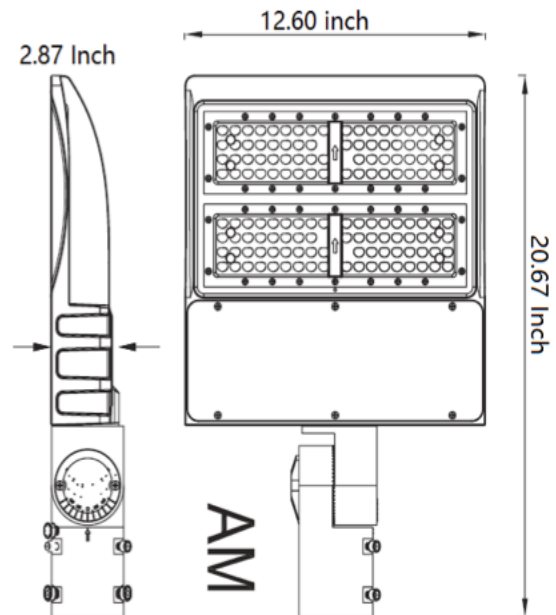


Project: \_\_\_\_\_  
 Attn: \_\_\_\_\_  
 Estimated Qty: \_\_\_\_\_  
 Notes: \_\_\_\_\_


**Feature and Benefits:**

- Designed for installing new construction or retrofitting existing commercial buildings
- 5000 Kelvin color is close to ambient daylight
- Philips LED with Meanwell HLG Series driver
- Over 130 lumen per watt to bring better light quality for targeted area
- Four brackets designed to easy-switch
- Type III, IV or V Lighting Distribution Type


**Dimensions and size:**

**Technical Data**

CRI	>75
Beam Angle	Due to Optical Type
Operation Temp.	- 30°C ~ 60°C
Lifespan	50,000 Hours
Waterproof Rating	Wet Location
Lumen per watt	> 130 lm/w

**Ordering Information**

Model #	CCT	Voltage	Wattage	Lumen
LEDPK90W50KX	5000K	110 – 277VAC	90W	11,700Lm
LEDPK90W50KXHV	5000K	305-480VAC	90W	11,700Lm
LEDPK150W50KX	5000K	110 – 277VAC	150W	19,500Lm
LEDPK150W50KXHV	5000K	305-480VAC	150W	19,500Lm

X – 2,3,4,5 Distribution Type (Default configuration: 3 = Type III)