


**PACKING LIST:**

- Side Frame Assembly x 2
- Top Frame Assembly x 1
- Corner Motion Control Assembly x 2
- #6-32 x ½" Flat Head Screw x 8
- ¼"-20 x ¾" Security Head Screw x 6

**TOOLS NEEDED:**

- T27 Security Torx wrench
- #2 Philips head screw driver

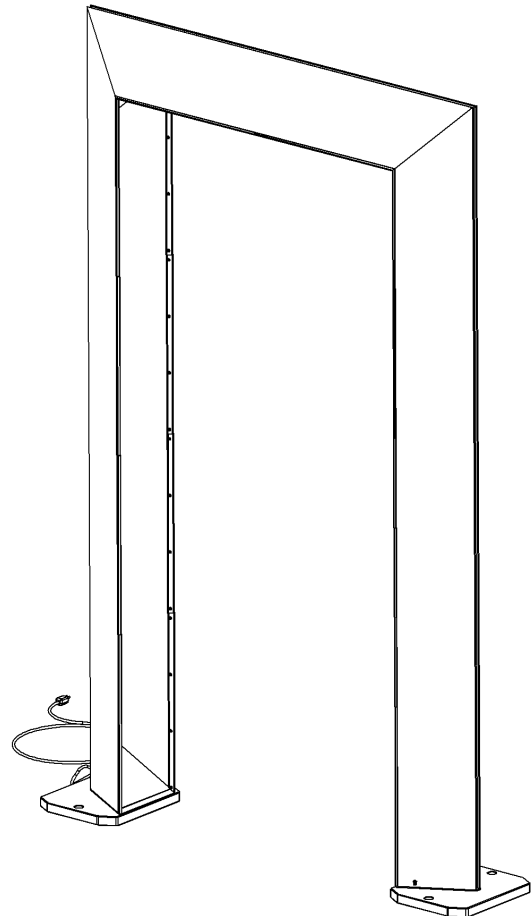
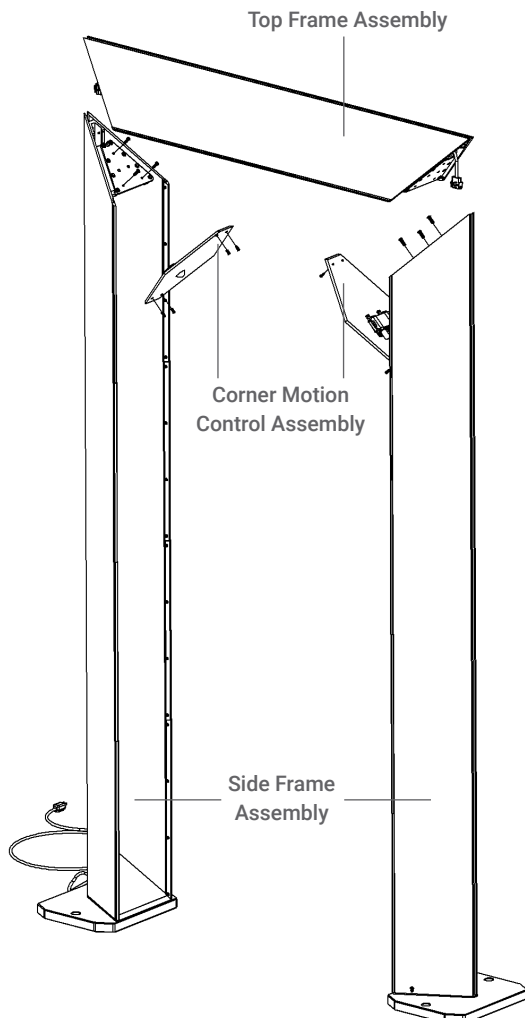
 Please review all parts and hardware before disposing of any packaging. Please use recommended tools for assembly.

**IMPORTANT SAFETY INSTRUCTIONS**

This product has 3-prong plug that allows a grounding wire to be connected from the electrical circuit to the product. The grounding wire is connected to the third prong of the plug. When the 3-prong plug is plugged into the receptacle, the grounding wire is connected to the prong and provides a continuous grounding path from the product back to the breaker box. This grounding path serves as primary safety means if there is a short circuit or other damage to the electrical circuit or product.

**CAUTION**

TO PREVENT ELECTRICAL SHOCK, MATCH 3-Prong Plug to 3-Prong Receptacle, FULLY INSERT.

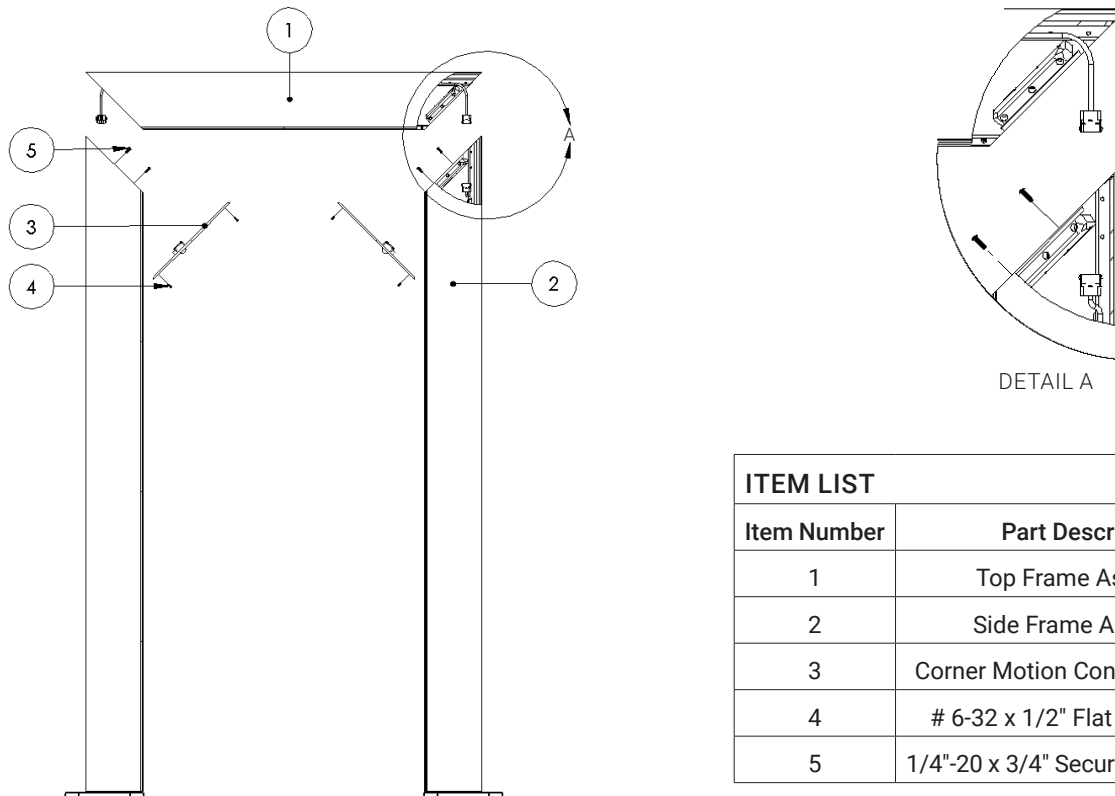


## INSTALLATION - OVERALL ASSEMBLY

- At or near the desired installation location, unpack all components and verify the contents against the packing list.
- Set the two Side Frame Assembly (item 2) at 35.5" distance apart (as shown in Fig 1).
- Set the Top Assembly (item 1) on the top of the two Side Frame Assembly (as shown in Fig 1).
- Connect all electrical connections by attaching all corresponding quick connectors between Top Frame Assembly and the two Side Frame Assembly (see Fig 1 Detail A, Fig 2 Detail B)
- Fasten Top Frame Assembly and Side Frame Assemblies with 1/4"-20 x 3/4" Security Head Screws (Item 5) as shown in Fig 1.
- Connect each of the Corner Motion Control Assembly each side of the Frame using the corresponding connector (see Fig 3 Detail C).\*
- Fasten the two Corner Motion Control Assembly (Item 3) with #6-32 x 1/2" Flat Head Screws (Item 4) as shown in Fig 1.
- Plug in the 3-prong plug into the power outlet.
- Locate the two (2) Power/Control switches on Side Frame Assembly. Switch 1 is located above the power cord and Switch 2 is located below the power cord. Adjust Switch 1 to desired control operation to activate the Portal as shown in Fig 3.
  - Switch 1
    - Top Position: Constant On
    - Middle Position: OFF
    - Bottom: Motion Controlled (Default)
  - Switch 2
    - Bottom: On (Default)
- For Switch 2 located below the power cable, please ensure the switch is ALWAYS ON THE BOTTOM position at all times. Any other position will cause the Portal to not function properly.
- While Portal is designed to be free-standing, anchor holes are available on the base of each Side Frame Assembly and can be used to secure the Portal to the ground by using 1/4" fasteners.

\* There is no polarity requirement of Corner Motion Control Assembly installation.

Fig. 1



ITEM LIST		
Item Number	Part Description	Quantity
1	Top Frame Assembly	1
2	Side Frame Assembly	2
3	Corner Motion Control Assembly	2
4	# 6-32 x 1/2" Flat Head Screw	8
5	1/4"-20 x 3/4" Security Head Screw	6

**ELECTRICAL CONNECTION – ADDITIONAL DETAILS**

Fig. 2

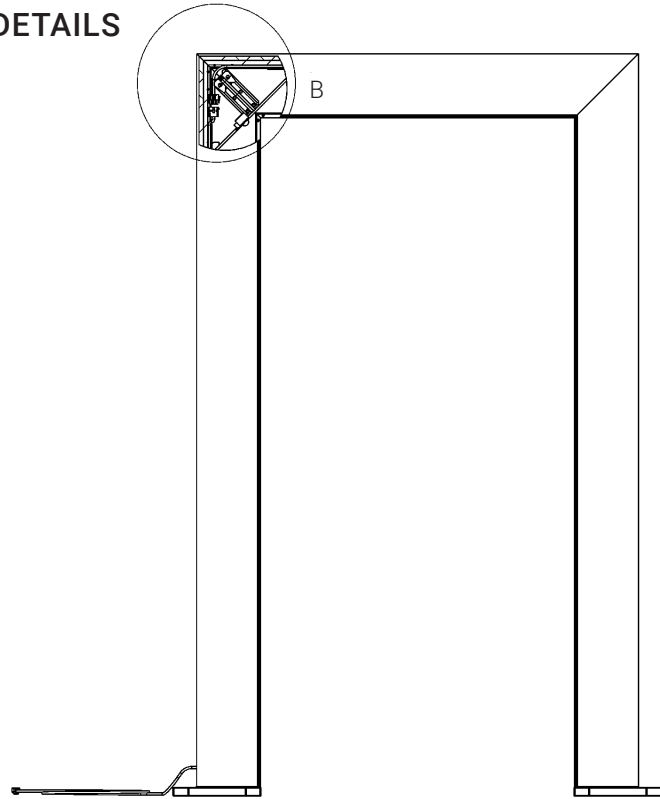
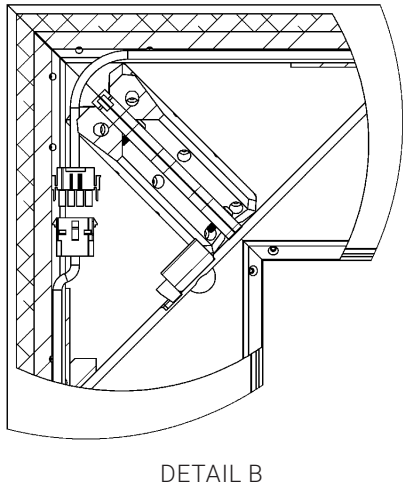

**ADDITIONAL DIAGRAMS**

Fig. 3

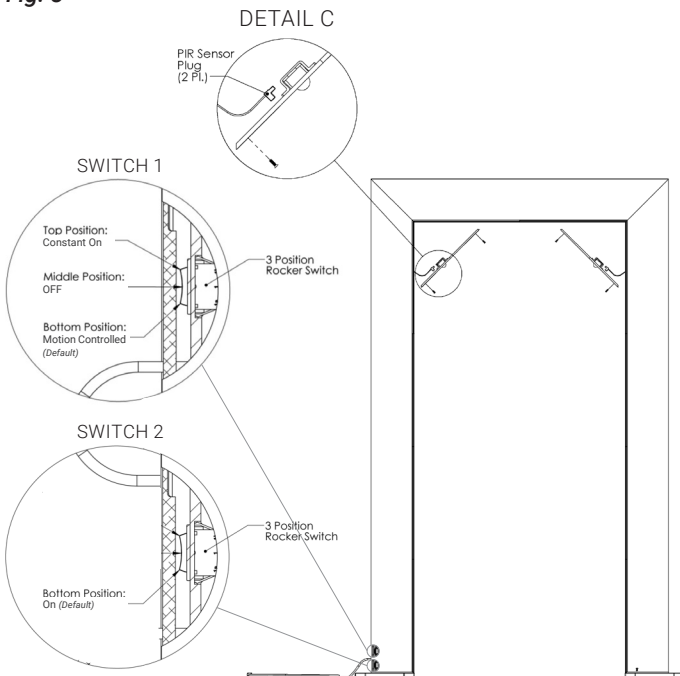


Fig. 4

