

G-COMIN

Innovative LED Light Manufacturer

LED Germicidal & Highbay Light 4BAY



150LM/W

SHENZHEN COMING TECHNOLOGY CO.,LTD

T: +86-755-28462760
E: info@co-ming.com
www.co-ming.com

ADD: Coming Industrial Park
Longgang District
Shenzhen China



RoHS

Parameter

WATTAGE-White Light	100/150/200/240/300/400/480W
WATTAGE-UVC	5W
LIGHT SOURCE	LUMILEDS
DRIVER	MEANWELL
LAMP LUMINOUS FLUX	150LM/W±5%
CRI	Ra>70/80
CCT	2700-6500K
RATED VOLTAGE	AC 100-240V 277V~,50/60Hz
POWER FACTOR	>0.95
BEAM ANGLE	60°/120°(100/150/200/240W) 30°/60°/90°/120°(300/400/480W)
IP GRADE	IP65
HEAT-SINK	ALUMINIUM COOLING FIN ALUMINIUM RIVET
OPERATING TEMP	-40°C~60°C



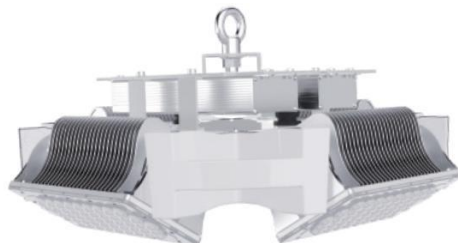
100W
15,000LM±5%
4.5kg±5%
192PCS LED
429×429×159mm

150W
22,500LM±5%
4.5kg±5%
288PCS LED
429×429×159mm



200W
30,000LM±5%
5.3kg±5%
384PCS LED
429×429×159mm

240W
36,000LM±5%
5.3kg±5%
480PCS LED
429×429×159mm



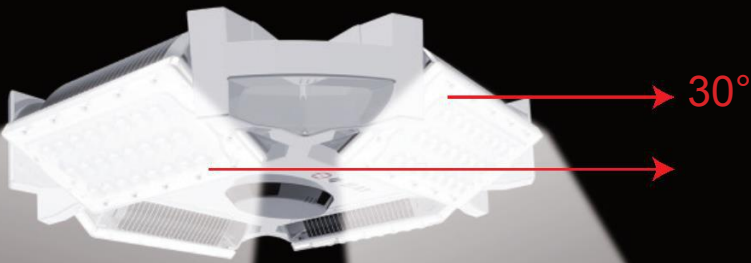
300W
45,000LM±5%
7.1kg±5%
112PCS LED
429×429×225mm

400W
60,000LM±5%
7.4kg±5%
144PCS LED
429×429×225mm

480W
72,000LM±5%
7.4kg±5%
192PCS LED
429×429×225mm

Professional Light Distribution

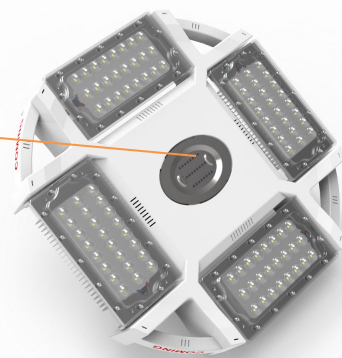
Multiple optical lens choices are available with angles including 30°/60°/90°/120° to meet the requirements for professional light distribution and an extensive scope of applications.



- Ultralight
- Module Rotatable 200°
- High Luminous Flux
- Installation & Maintenance Friendly

UVC Integration

- 275UVC Chip
- Sterilization
- Independently & Automatic Control



Original Design Heat-Sink



Aluminium Rivet

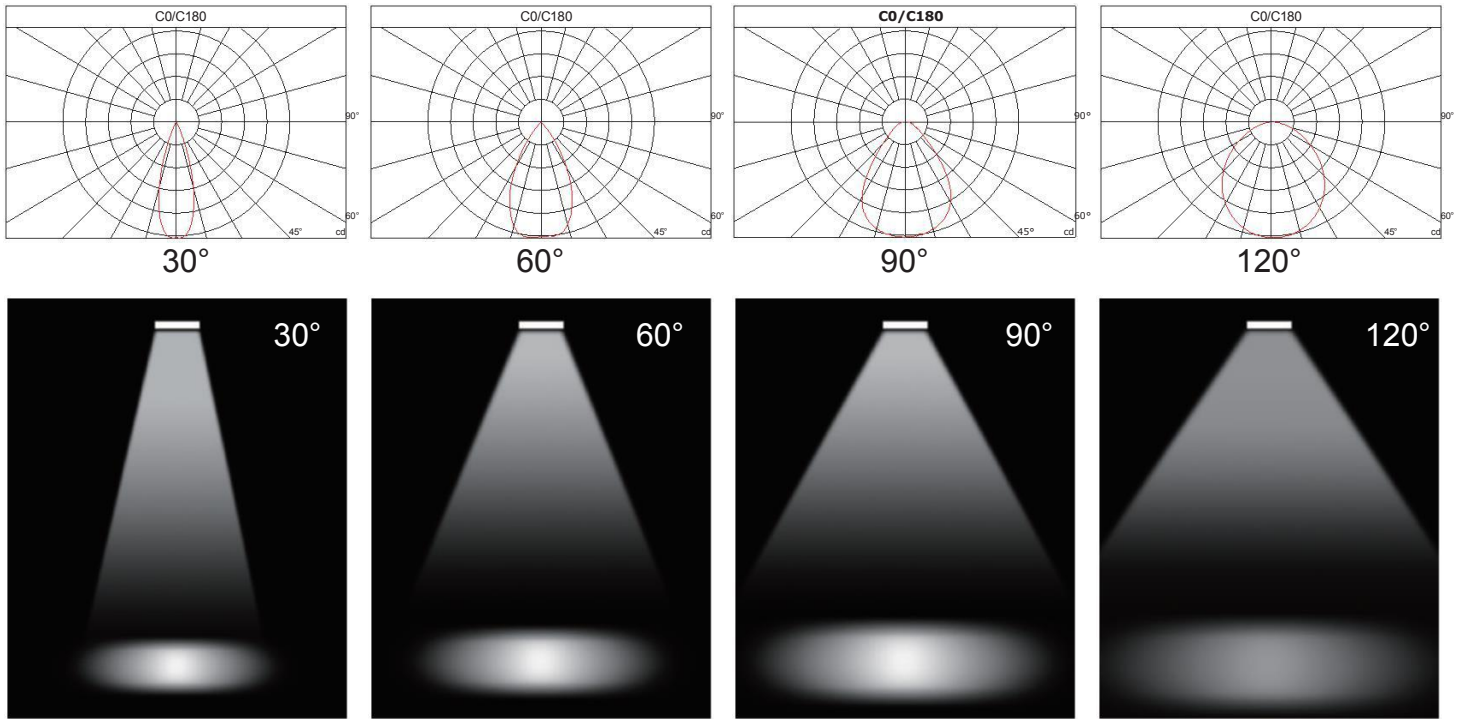


Aluminium Cooling Fin



Aluminium Cooling Fin

Light Distribution Curve



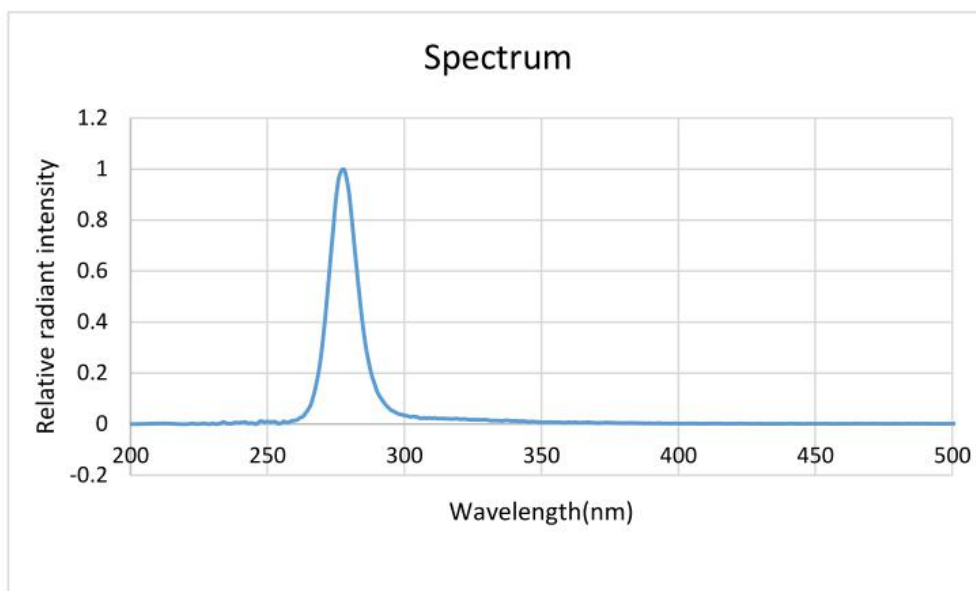
UVC CHIP INFORMATION

WP UVC: 270-280nm

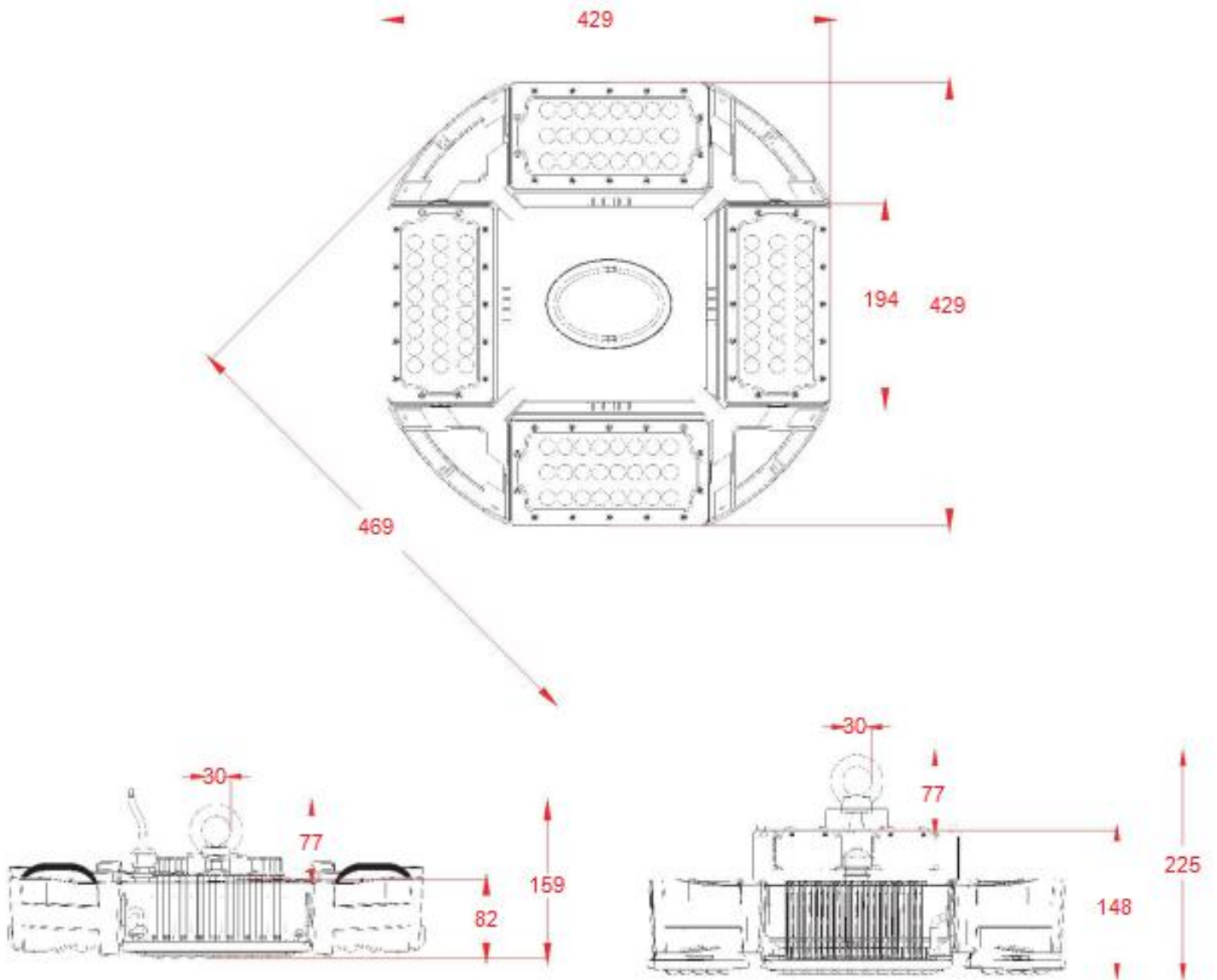
Features and Benefits

- High optical output power
- Long life and low light attenuation
- Environmental protection, energy saving and high reliability
- Durable, shock-proof, easy to design, suitable for multi-field applications
- Built-in UVC wavelength chip, unique design and application more widely Long operating life

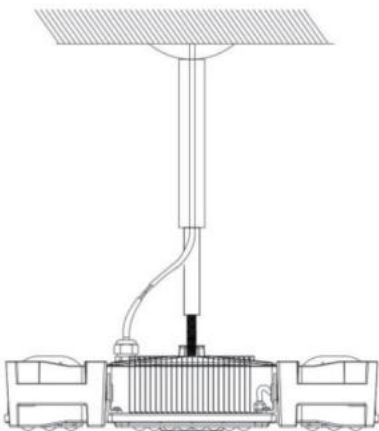
Fig 1. Relative Spectrum Power Distribution, $T_j = 25^\circ\text{C}$



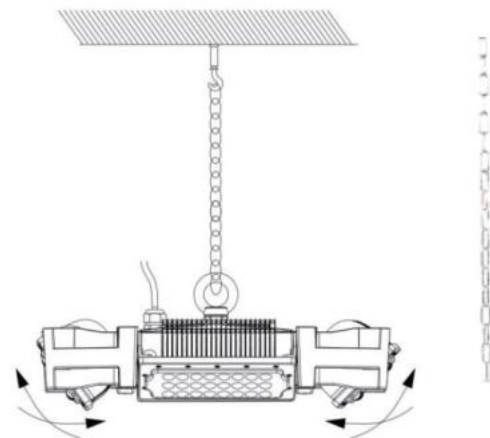
Size



Extension aluminium pole



Iron chain



Application



Packaging



Model	Size of Box	Weight of Carton	Size of Carton	Gross Weight of Carton	PCS /Carton
CO-4BAY-100W	47*46*15cm	5.3KG	50*49*66cm	22.7KG	4
CO-4BAY-150W	47*46*15cm	5.3KG	50*49*66cm	22.7KG	4
CO-4BAY-200W	47*46*15cm	6.1KG	50*49*66cm	26.4KG	4
CO-4BAY-240W	47*46*15cm	6.1KG	50*49*66cm	26.5KG	4
CO-4BAY-300W	49*47*25cm	8.4KG	50*48*52cm	18.2KG	2
CO-4BAY-400W	49*47*25cm	8.8KG	50*48*52cm	18.9KG	2
CO-4BAY-480W	49*47*25cm	8.8KG	50*48*52cm	18.9KG	2

G-COMIN

SHENZHEN COMING TECHNOLOGY CO.,LTD

T: +86-755-28462760

E: info@co-ming.com

www.co-ming.com

Add: Coming Industrial Park Longgang District
Shenzhen China